

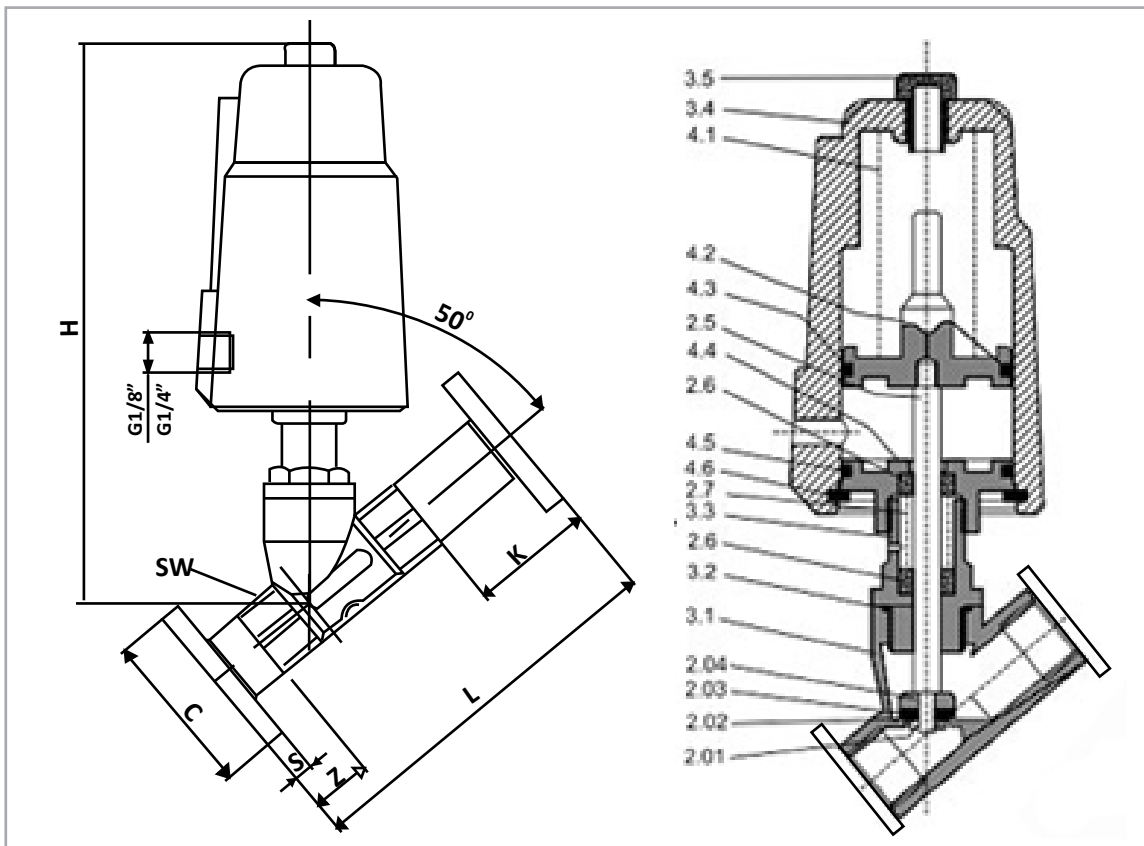
WPPV-FS-F FLANGED STAINLESS PISTON VALVE



Body material:S.S316/S.S304/brass
 Actuator material:alloy aluminum/s.s304
 Disk seal:PTFE/FPM
 Piston seal:FPM/NBR

TECHNICAL PARAMETER

Connection size:DN10-DN80
 Thread:3/8"-2 1/2"
 Applicable medium:water, neutral gas or liquid,alcohol,oil,organic solvent,steam, lye and weak acid solution
 Temperature of medium:PTFE:-10⁰C - +200⁰C / FBM:-10⁰C - +100⁰C
 Viscidity:max600 mm²/s
 Downstream installing / Upstream installing
 Controlling medium: air / neutral gas
 Controlling pressure: 0.3 - 0.8MPa
 Working pressure:0-1.6MPa



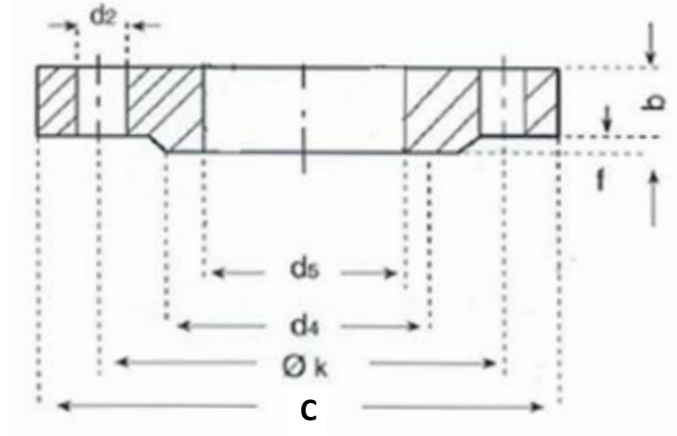
Outline Dimension(mm)

CODE	DN	RC	L	L1	SW	H	D	C	ACTUATOR
WPPV-FS-F	10	3/8"	55	17	21	155	51		40
WPPV-FS-F	15	1/2"	70	21	26.5	170	51	95	40
WPPV-FS-F	20	3/4"	76	23	32	185	62	105	50
WPPV-FS-F	25	1"	90	25	40	195	62	115	50
WPPV-FS-F	32	1-1/4"	116	32	50	235	76	140	63
WPPV-FS-F	40	1-1/2"	116	32	55.5	250	92	150	80
WPPV-FS-F	50	2"	138	40	68.5	265	92	165	80
WPPV-FS-F	65	2-1/2"	168	51	85	305	117	185	100/125
WPPV-FS-F	80	3"	192	54	100	365	140	200	100/125

List of Parts

- 2.1 bolt
- 2.2 orifice plate seal
- 2.3 seal disk
- 2.4 disk
- 2.5 stem
- 2.6 V sealing
- 2.7 spring
- 3.1 body
- 3.2 seal ring
- 3.3 screw connector
- 3.4 cylinder
- 3.5 observation window
- 4.1 spring
- 4.2 piston
- 4.3 O ring
- 4.4 bonnet
- 4.5 O ring
- 4.6 stop collar

WPPV-FS-F FLANGED STAINLESS PISTON VALVE



Anma Boyutu DN	Flanş				Çalışma Yüzeyi	Civata	
	d ₅	C	b	k	d ₄	Delik Hole	d ₂
15	21	95	14	65	46	4	14
	22						
20	26	105	16	75	56	4	14
	27,5						
25	31	115	16	85	65	4	14
	34,5						
32	39	140	18	100	76	4	18
	43,5						
40	45,5	150	18	110	84	4	18
	49,5						
50	58,1	165	20	125	99	4	18
	61,5						
65	77,5	185	20	145	118	8	18
80	90,5	200	20	160	138	8	18